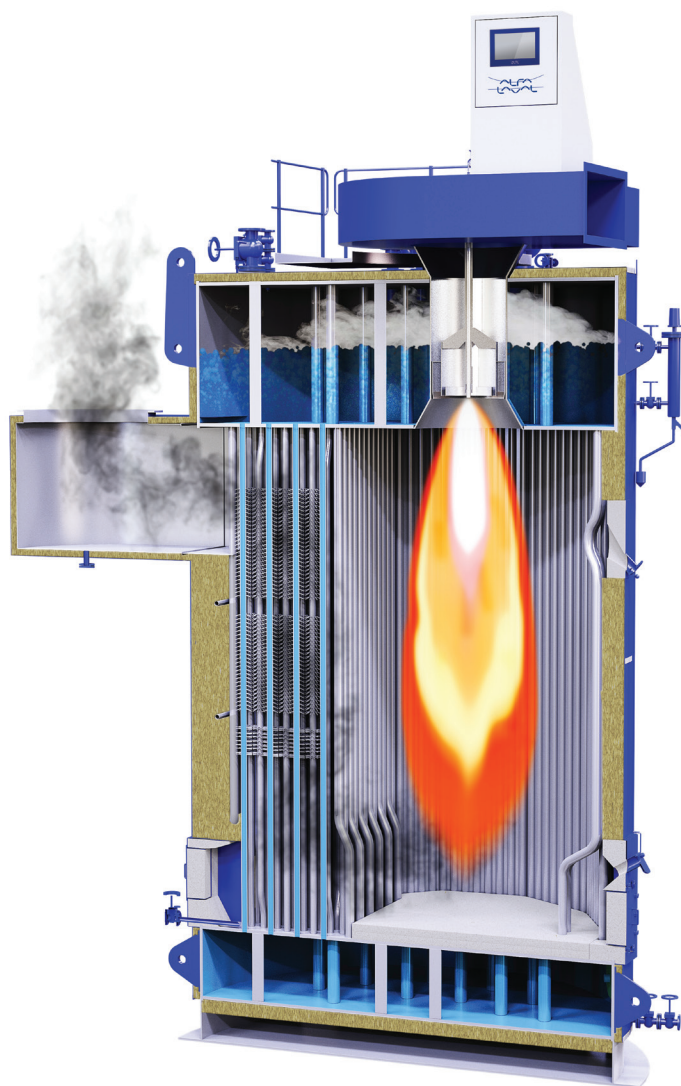




Aalborg OL

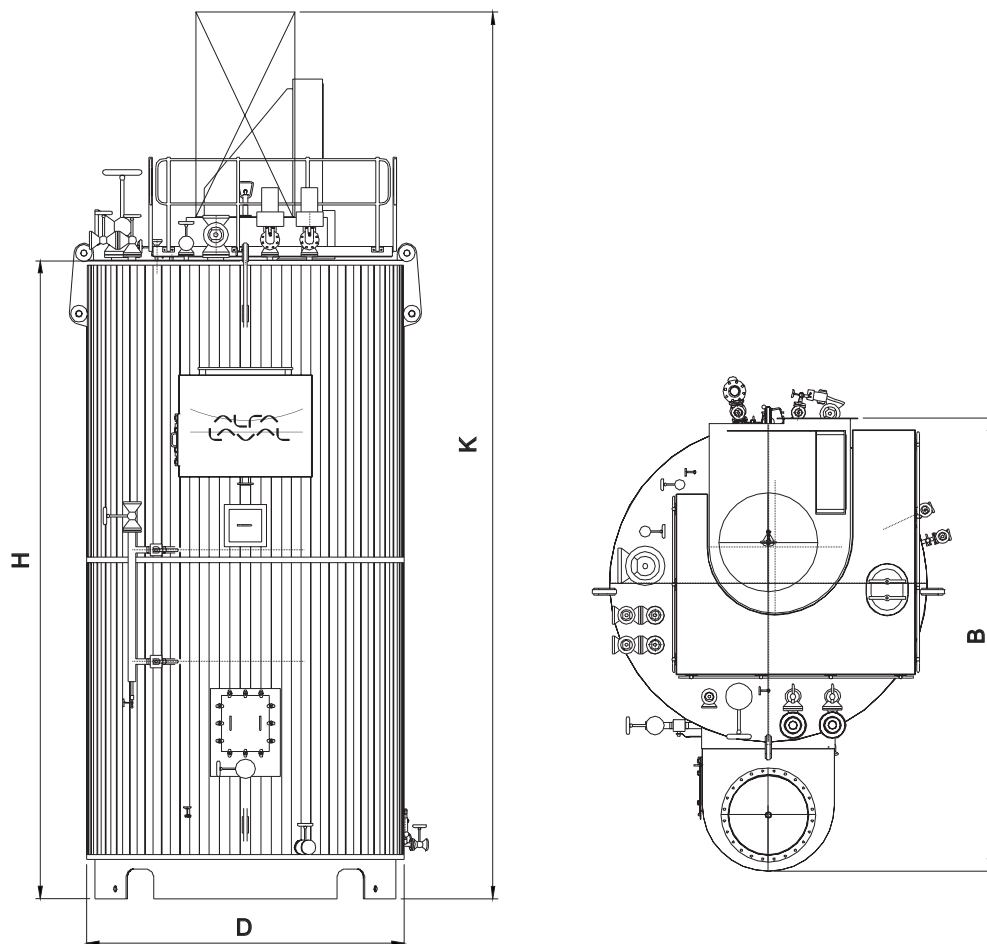
The large capacity modular boiler plant



The Aalborg OL is a standard cylindrical two-drum boiler. The furnace, built of membrane walls and containing only little refractory, is shaped to provide optimal combustion conditions. The convection section consists of straight pin tubes with bent pins that provide a high heat transfer coefficient and a low pressure loss. Circulation is ensured by placing downcomers outside the membrane walls.

Capacity range: 12.5 – 55 t/h, 8,800 – 38,800 kW





Standard product range

Capacity & dimensions

Steam capacity	Design pressure	Thermal output at 100% MCR	Height K (incl. retraction of burner lance)	Height K (incl. retraction of burner lance - boiler increased 200 mm)	Diameter D (incl. insulation)	Height H	Height H (boiler increased 200 mm)	Width B	Boiler dry weight*	Boiler operation weight	Boiler dry weight* (boiler increased 200 mm)	Boiler operation weight (boiler increased 200 mm)
kg/h	bar(g)	kW	mm	mm	mm	mm	mm	mm	ton	ton	ton	ton
12,500	9	8,800	8,260	8,660	2,670	6,000	6,200	4,070	14.8	21.3	15.1	21.6
16,000	9	11,300	8,410	8,810	3,070	6,000	6,200	4,320	18.1	26.7	18.4	27.0
18,000	9	12,700	8,840	9,240	3,120	6,300	6,500	4,470	19.6	28.8	19.9	29.1
18,000	18	12,700	8,840	9,240	3,120	6,300	6,500	4,470	22.7	31.6	23.3	32.2
20,000	9	14,100	8,840	9,240	3,220	6,300	6,500	4,595	20.8	30.7	21.2	31.1
20,000	18	14,100	8,840	9,240	3,220	6,300	6,500	4,595	24.1	33.7	24.8	34.4
25,000	18	17,600	9,950	10,350	3,320	7,150	7,350	4,800	27.2	37.9	27.9	38.6
30,000	18	21,200	10,260	10,660	3,570	7,350	7,550	5,200	31.4	43.9	32.2	44.7
35,000	18	24,700	10,200	10,600	3,870	7,200	7,400	5,600	35.9	50.5	36.8	51.4
40,000	18	28,200	10,780	11,180	3,870	7,600	7,800	5,625	37.9	52.9	38.7	53.7
45,000	18	31,800	10,770	11,170	4,270	7,550	7,750	6,125	44.6	62.9	45.7	64.0
55,000	18	38,000	10,950	11,350	4,520	7,600	7,800	6,600	50.8	71.7	52.0	72.9

Standard scope of supply has the boiler mounted on a skirt. Design with feet is optional.

*) boiler dry weight incl. burner, insulation, valves, and refractory.

MDD00231EN 1507

How to contact Alfa Laval

Contact details for all countries are continually updated on our website. Please visit www.alfalaval.com to access the information.