



The Solution for Large Particle Applications

Unique Mixproof LP-F Valve

Compliance

Meets 3A requirements for non dairy applications

Concept

This Unique Mixproof LP-F valve is based on the well proven and exceptionally flexible design of the Unique Mixproof valves. The valves are designed for gentle handling of the product containing large particulates up to 1¼" or products with high viscosity.

Additional to the Unique Mixproof Large Particle valve (LP) the LP-F is equipped with a lower flush to enable 100% cleanability of the lip seal in the lower sealing element through seat-lift cleaning alone. This an improved performance compared to Spiral clean on the lower plug and reduces the need for additional utility installations for external CIP.

Working Principle

Unique Mixproof LP-F is remote-controlled by means of compressed air. The valve is a normally closed (NC) valve. It is as standard supplied seat lift, which enables handling of two different products at the same time, or safe handling of one product while seat-lift cleaning operations are being conducted in the other portion of the valve – all without any risk of cross-contamination. The 6" valve is as standard also equipped with balanced lower plug to protect against the effects of high pressure and water hammer. The 4" valve is, in order to accommodate 45mm particles, not supplied with balanced lower plug. The 4" is however as standard equipped with a boost actuator to accommodate a product pressure of up to 10 bar. When seat lift of the lower plug is performed the valve will simultaneously clean the lower plug seal as well as the lower sealing element lip seal.

Technical Data

Max. product pressure: .145 PSI (10 bar)
Min. product pressure: .Full vacuum.
Temperature range:-23 °F to +257 °F (Depending on elastomer type)
(For higher temperatures, please contact Alfa Laval)
Air pressure:Max. 116 PSI



Materials

Product wetted steel
parts: Acid-resistant steel AISI 316L
Other steel parts: Stainless steel AISI 304
External surface finish . . Semi-bright (blasted)
Internal surface finish . . External bright/internal polished Ra<32µ"
Product wetted parts: . . EPDM (std.) NBR, HNBR or FPM

Other seals:
CIP seals: EPDM
Actuator seals: NBR
Guide strips PTFE

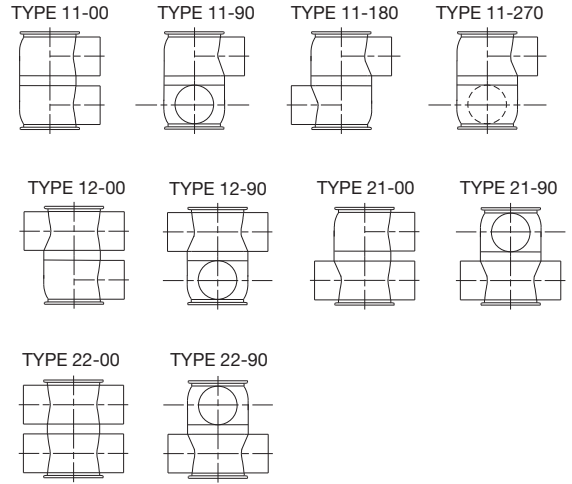
Availability

This LP-F edition of the Unique Mixproof valve is a high-end valve with regards to process security as well as from a sanitary point of view. The Unique Mixproof LP-F valve is available in 4" and 6" sizes.

Options

- Male parts or clamp liners in accordance with required standard.
- Control and Indication: ThinkTop or ThinkTop Basic.
- Side indication for detection of upper seat lift
- Product wetted seals in HNBR, NBR or FPM

Valve body combinations



TD 449-014_3

Pressure drop/capacity diagrams

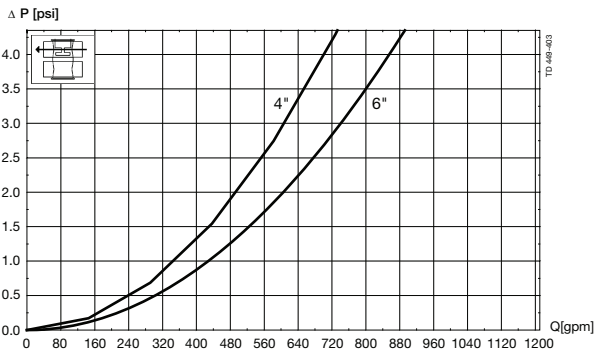


Fig. 2. Pressure drop/capacity diagram, upper bodies.

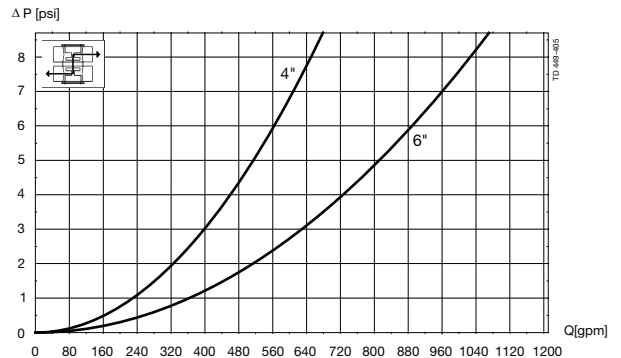


Fig. 3. Pressure drop/capacity diagram, between bodies.

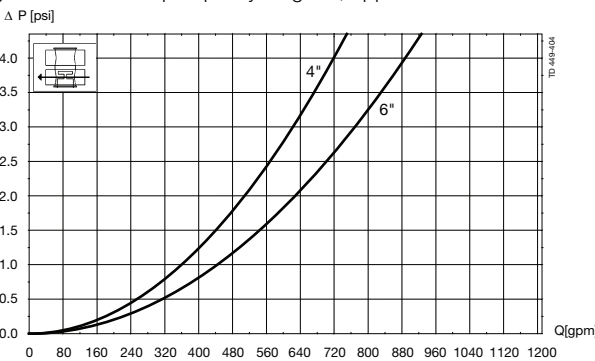


Fig. 4. Pressure drop/capacity diagram, lower body.

Note!

For the diagrams the following applies:
 Medium: Water (68 °F).
 Measurement: In accordance with VDI 2173.

Air and CIP consumption

Size

		4"	6"
Cv-value Upper Seat-lift	[gpm/psi]	5.3	12.1
Cv-value Lower Seat-lift	[gpm/psi]	6.7	10.2
Air consumption Upper Seat-lift	* [cubic inches]	38	38
Air consumption Lower Seat-lift	* [cubic inches]	13	13
Air consumption Main Movement	* [cubic inches]	216	216

Note

* [n litre] = volume at atmospheric pressure

Formula to estimate CIP flow during seat lift:

(for liquids with comparable viscosity and density to water):

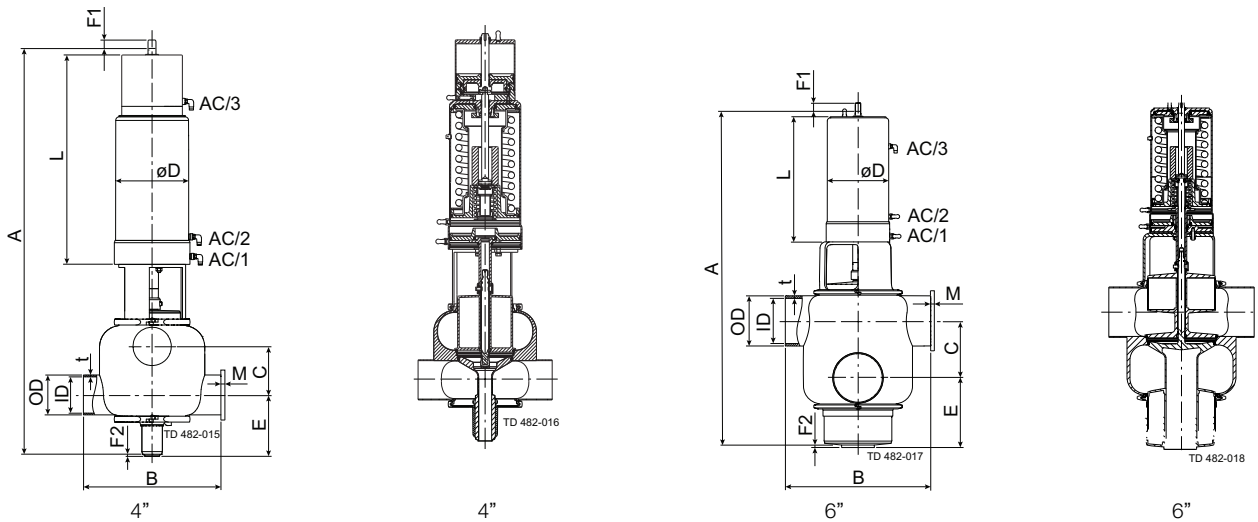
$$Q = C_v \cdot \sqrt{\Delta p}$$

$$Q = \text{CIP - flow (ft}^3/\text{h)}$$

Kv = Kv value from the above table.

Δp = CIP pressure (psi).

Dimensions [in]



Size

	4"	6"
A	40.87	39.45
B	13.78	17.32
**C	4.87	6.80
OD	4	6
ID	3.84	5.78
t	0.08	0.11
E	6.54	8.30
F1	2.95	2.95
F2	0.2	0.2
ϕD	7.32	7.32
L	21.02	14.92
M/Tri-clamp	0.83	1.52
Weight (lb)	143.08	190.04

NOTE!

**The measure C can always be calculated by the formula

$$C = \frac{1}{2}ID_{\text{upper}} + \frac{1}{2}ID_{\text{lower}} + 1.02 \text{ in}$$

Alfa Laval reserves the right to change specifications without prior notification. ALFA LAVAL is a trademark registered and owned by Alfa Laval Corporate AB.

ESE02125ENUS 1505

© Alfa Laval

How to contact Alfa Laval

Contact details for all countries are continually updated on our website. Please visit www.alfalaval.us to access the information direct.