

Alfa Laval Brew 600e

Disc stack separation system for brewery applications

Introduction

For more than 100 years, Alfa Laval has been supplying separators for various industries. Today, Alfa Laval has the most complete and diverse offering of separators – each fully optimized for its specific duty and supplied with all auxiliary systems and key components.

The use of disc stack separators in different brewery applications goes back several decades. Based on the long-term cooperation with the brewery industry, Alfa Laval separators are specifically designed for the requirements and demands of this industry.

Brew separators have a long history of enabling breweries around the world to achieve higher yields, meet shifts in demand and maintain profitability. Used in multiple brewery applications, they ensure minimal levels of oxygen pick up during passage through the separator and the highest standards of hygiene.

Application

Self-cleaning disc stack separation systems in the Brew series are specially designed for green beer and beer pre-clarification or polishing duties with the target to produce the best quality beer with high performance and maximized yield.

Benefits

- High separation efficiency
- No oxygen pick-up
- Gentle treatment of the product
- Low power consumption
- Robust and reliable design
- Prolonged service intervals

Design

The Brew 600e separation system consists of a separator, a process & service liquid unit, and an electrical & control system.

The unique hermetic bottom fed design ensures superior separation performance and offers the lowest power consumption in the market. The bowl inlet and outlet are sealed mechanically and this prevents any oxygen pick-up in the clarified beer. Adjustable discharge volume function ensures discharge of solids with high dry matter content, thus minimizing product losses.



Alfa Laval's eDrive (direct drive) system ensures mechanical simplicity with fewer rotating parts, which prolongs service interval, improves energy efficiency and robustness.

The system can be selected with an optional feature - eMotion™, which applies partial vacuum (low atmospheric pressure) between the bowl and the bowl casing to reduce air friction. Alfa Laval's innovative eMotion™ add-on not only further reduces the power consumption, but it also minimizes cleaning and cooling requirements while reducing noise levels.

The system is modularized and it can be configured from a selection of basic and optional features and control functions. The control system includes a PLC and a user-friendly HMI to monitor and control the separation process parameters. The system can be configured for remote operation.

All metallic parts in contact with the process liquid are made of stainless steel. Gaskets and seals in contact with the product are made of FDA approved material and are approved according to food regulations (EC-1935/2004).

The separation system is designed for automated Cleaning in Place (CIP).

Scope of supply

The standard Brew 600e skid mounted system includes the following main components:

- Disc stack separator
- Process & service liquid unit:
 - Valves, instruments and other components
 - Automatic flow and back pressure regulation valves
 - Sight glasses
 - Sample valves
- Electrical & control system:
 - Control cabinet with PLC and touchscreen HMI
 - Motor starter cabinet with VFD
- Commissioning spares
- Set of special tools
- Documentation
- The system is available in two pipe size configurations:
 - DN80 and DN100

Options

- PowerSaver EM (eMotion[™]) Sustainability subscription
- Feed pump
- Solids receiving unit (a collection device and a transfer pump for the discharged solids)
- Turbidity triggered solids discharge function
- Capacity control by inlet turbidity
- Solids control (recirculation of the clarified product)
- Integrated blending by-pass
- WaterSaver CR Sustainability subscription
- Service options:
 - ConditionAlert[™] — connectivity based subscription
 - Commissioning
 - Operators training (basic and advanced level)
 - Basic service agreement
 - Performance agreement

Working principle

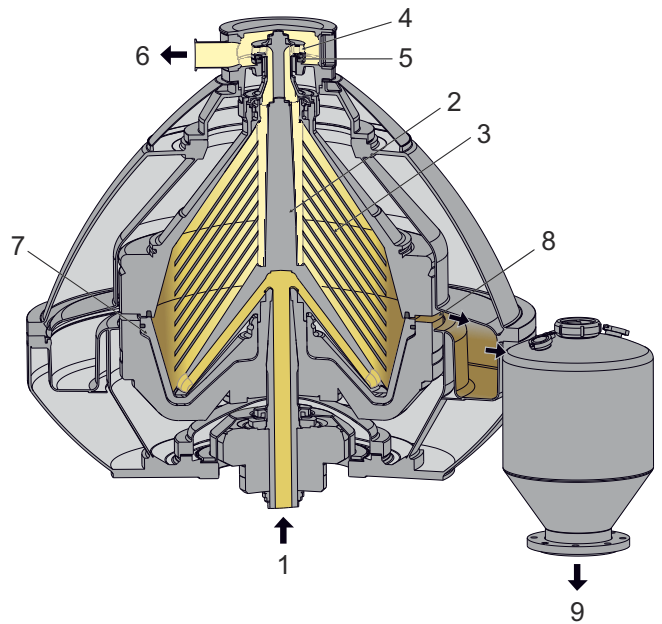
The process & service liquid unit monitors and regulates the flow and pressure of the feed and utility liquids in and out of the separator.

The process liquid is continuously fed from the bottom into the rotating separator bowl through the hollow drive spindle. Separation takes place between the bowl discs due to the centrifugal force. The solids settle towards the periphery of the bowl. The clarified/separated liquid is continuously pumped out of the hermetically sealed separator by an integrated impeller through the outlet at the top of the separator.

The solids collected in the periphery of the bowl are discharged intermittently through the discharge ports. The discharge is triggered by a turbidity meter placed in the outlet of the system.

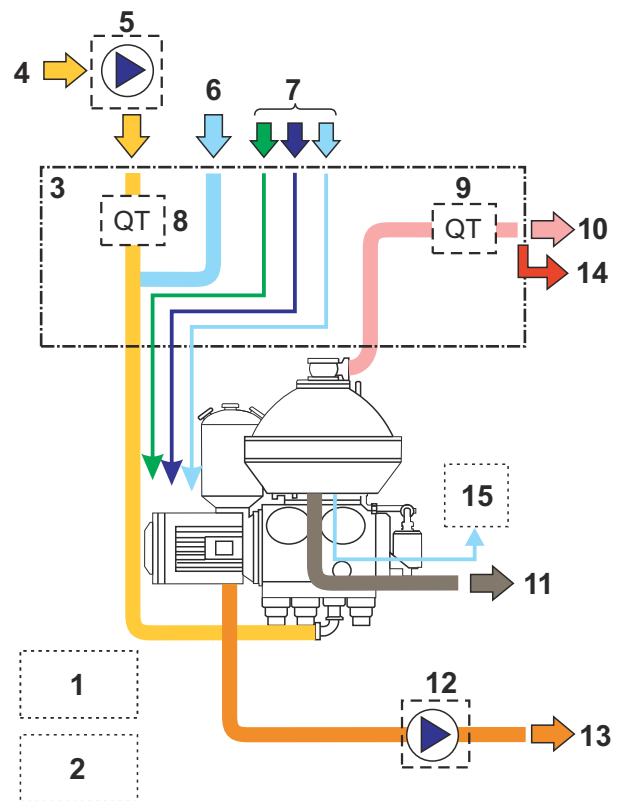
Water is used to control the movement of the sliding bowl bottom part that opens and closes the discharge ports. The discharged solids decelerate in the sludge cyclone and can be pumped out of the system by the optional solids receiving unit.

The process & service liquid unit also controls the separator's discharge system, flushing, and CIP.



Typical bowl drawing for a solids-ejecting separator. The details illustrated do not necessarily correspond to the separator described

1. Inlet
2. Distributor
3. Disc stack
4. Impeller
5. Hermetic seal
6. Liquid phase outlet
7. Sliding bowl bottom
8. Solids discharge ports
9. Solids outlet from cyclone



Typical flow chart of a separator system. The details may differ slightly between different systems.

1. Control cabinet
2. Motor starter cabinet and VFD
3. Process & service liquid unit
4. Product inlet
5. Feed pump (optional)
6. Standby/Safety water
7. Utilities
8. Turbidity meter for capacity control (optional)
9. Turbidity meter for discharge triggering
10. Clarified product outlet
11. Separator drain
12. Solids receiving unit (optional)
13. Discharged solids outlet
14. Process & service liquid unit drain
15. PowerSaver EM eMotion™ unit (optional)

Technical data

Performance data

Max capacity ¹	DN80: 550 hl/h (469 bbl/h) DN100: 850 hl/h (725 bbl/h)
Max. power consumption	38 kW (51 HP)

¹ Actual capacity and power consumption depend on application, solids content and operating conditions

Connections

Feed inlet	DIN 11851 Union DN80 / 100
Product outlet	DIN 11851 Union DN80 / 100
Solids outlet	DN50 DIN11851 Union

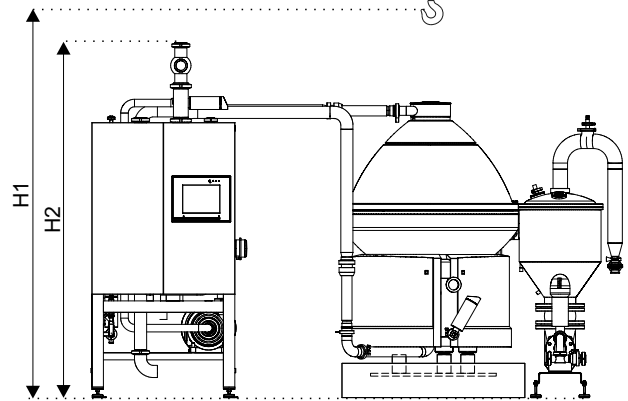
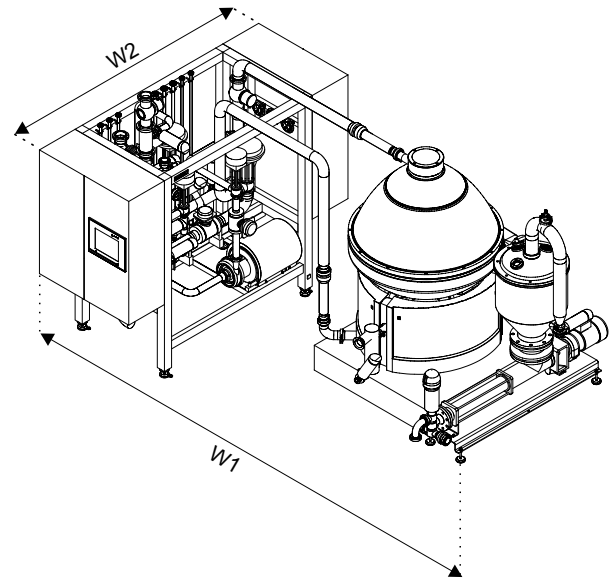
Material data

Bowl body	Stainless Steel, EN 1.4418
Gaskets (product wetted)	NBR and EPDM, FDA approved materials
Piping	Stainless steel, AISI 316L
Frame and cabinets	Stainless steel, AISI 304

Weights

System incl, separator, bowl and motor	4500 kg (9920 lbs)
Bowl	1150 kg (2535 lbs)

Dimensional drawing



Dimensions

H1	3030 mm (9 ft 11 5/16 inches)
H2	2650mm (8 ft 8 5/16 inches)
W1	3600 mm (11 ft 9 3/4 inches)
W2	2900mm (9 ft 6 3/16 inches)

This document and its contents are subject to copyrights and other intellectual property rights owned by Alfa Laval Corporate AB. No part of this document may be copied, re-produced or transmitted in any form or by any means, or for any purpose, without Alfa Laval Corporate AB's prior express written permission. Information and services provided in this document are made as a benefit and service to the user, and no representations or warranties are made about the accuracy or suitability of this information and these services for any purpose. All rights are reserved.

200005511-1-EN-GB

© Alfa Laval Corporate AB

How to contact Alfa Laval

Up-to-date Alfa Laval contact details for all countries are always available on our website at www.alfalaval.com